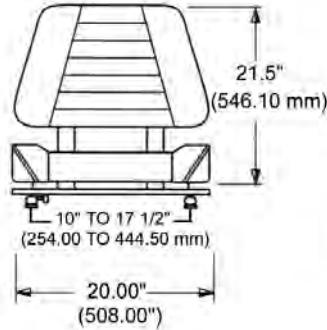




000 753-2001

1

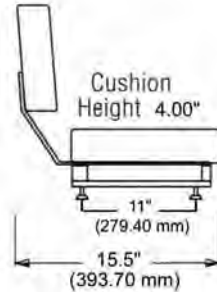
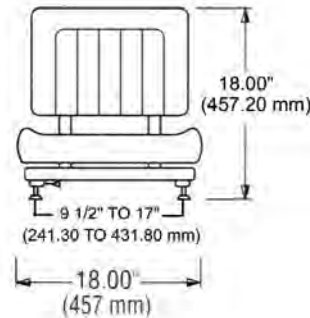


FOLD & TILT SEAT WITH ADJUSTER

Manufacturer Superior Unlimited
 Style Two Piece, Cushion and Backrest, Fold Down, High Back
 Material Heavy Duty Vinyl, High Density Foam, Nylon Thread
 Frame Steel Frame
 Specs Lateral Mounting Adjustment Built-in 9-1/2" to 17"

000 753-2002

2

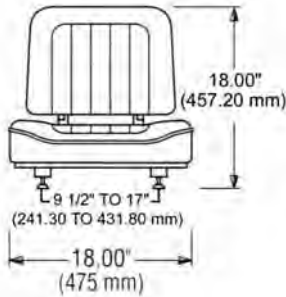


FOLD & TILT SEAT WITH ADJUSTER

Manufacturer Superior Unlimited
 Style Two Piece, Cushion and Backrest, Tilt Forward, High Back
 Material Heavy Duty Vinyl, High Density Foam, Nylon Thread
 Frame Steel Frame
 Specs Lateral Mounting Adjustment Built-in 9-1/2" to 17"
 Replacement Parts 000 753-2022 Cushion, 000 753-2025 Backrest

000 753-2006

1

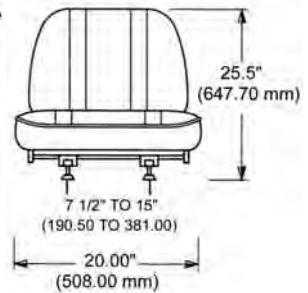


FOLD & TILT SEAT WITH ADJUSTER

Manufacturer Superior Unlimited
 Style Two Piece, Cushion and Backrest, Fold Down, High Back
 Material Heavy Duty Vinyl, High Density Foam, Nylon Thread
 Frame Steel Frame
 Specs Lateral Mounting Adjustment Built-in 9-1/2" to 17", Hinged Backrest
 Replacement Parts 000 753-2022 Cushion, 000 753-2025 Backrest

000 753-2007

2



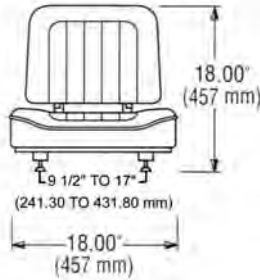
FOLD & TILT SEAT WITH ADJUSTER

Manufacturer Superior Unlimited
 Style Two Piece, Cushion and Backrest, Tilt Forward, High Back
 Material Heavy Duty Vinyl, High Density Foam, Nylon Thread
 Frame Tubular Steel Frame
 Specs Adjustable Tracks for Universal Fit, Front to Rear Slide Adjustment, Coil Spring Support

SEATS seat assemblies / fold & tilt

000 753-2008

1

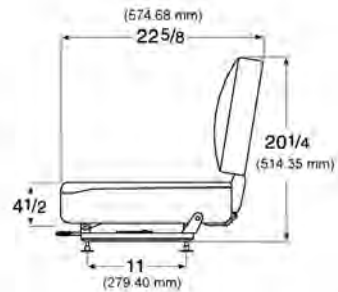
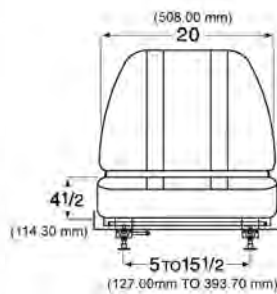


FOLD & TILT SEAT WITH ADJUSTER

Manufacturer Superior Unlimited
 Style Two Piece, Cushion and Backrest, Fold Down and Tilt Forward, High Back
 Material Heavy Duty Vinyl, High Density Foam, Nylon Thread
 Frame Steel Frame
 Specs Lateral Mounting Adjustment Built-in 9-1/2" to 17", Fore/Aft Adjustment
 Replacement Parts 000 753-2022 Cushion, 000 753-2025 Backrest

000 753-7035

2



FOLD & TILT SEAT WITH ADJUSTER

Manufacturer Wise WM599
 Style Two Piece, Cushion and Backrest, Fold Down and Tilt Forward High Back
 Material Heavy Duty Vinyl
 Frame Tubular Steel Frame
 Specs 6" Fore/Aft Adjuster, Multi Adjuster Mounting 5" to 15-1/2"



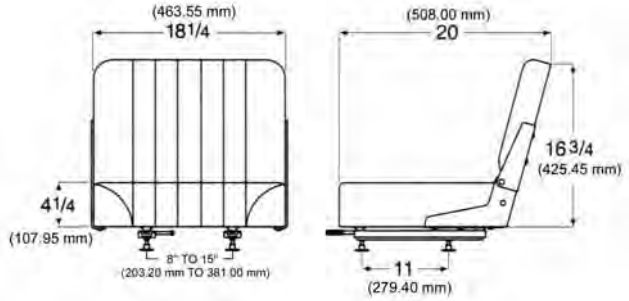
SEATS seat assemblies / fold & tilt

000 753-7040

1



SEATS seat assemblies / fold & tilt

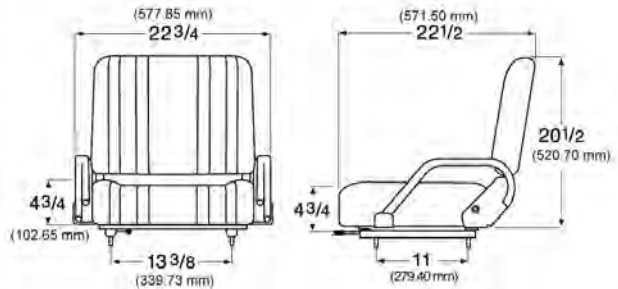


FOLD & TILT SEAT WITH ADJUSTER

Manufacturer Wise WM700
 Style Two Piece, Cushion and Backrest, Fold Down, High Back
 Material Heavy Duty Vinyl
 Frame Steel Frame
 Specs 6" Fore/Aft Adjuster, Multi Adjuster Mounting 8" to 15"

000 753-7041

2

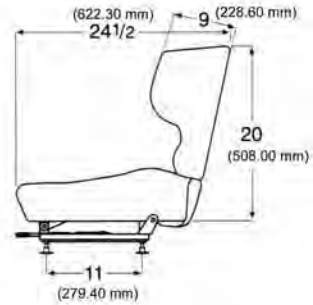
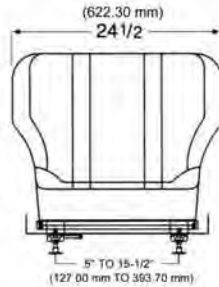


FOLD & TILT SEAT WITH ADJUSTER

Manufacturer Wise WM745
 Style Two Piece, Cushion and Backrest, Fold Down, High Back, Hip Restraints
 Material Heavy Duty Vinyl
 Frame Tubular Steel Frame
 Specs 6" Fore/Aft Adjuster, Multi Adjuster Mounting 11" to 13-3/8"

000 753-7042

1

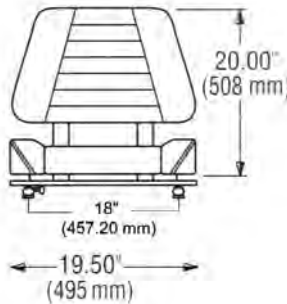


FOLD & TILT SEAT WITH ADJUSTER

Manufacturer Wise WM719
 Style Two Piece, Cushion and Backrest, Tilt Forward, High Back, Shoulder Restraints
 Material Heavy Duty Vinyl
 Frame Tubular Steel Frame
 Specs 6" Fore/Aft Adjuster, Multi Adjuster Mounting 5" to 15-1/2"

000 753-2000

2



STANDARD SEAT WITH ADJUSTER

Manufacturer Superior Unlimited
 Style Two Piece, Cushion and Backrest, High Back
 Material Heavy Duty Vinyl, High Density Foam, Nylon Thread
 Frame Steel Frame
 Specs Lateral Mounting Adjustment Built-in 9-1/2" to 17"

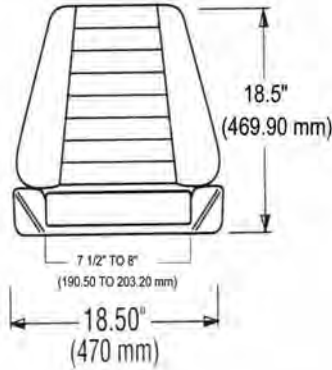


SEATS seat assemblies, fold & tilt/standard

000 753-2003

1

SEATS seat assemblies / standard

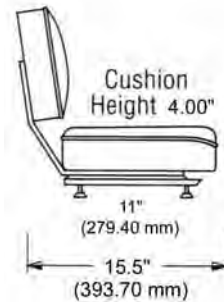
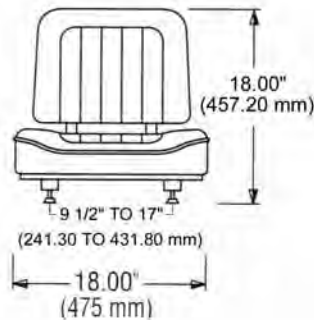


STANDARD SEAT WITH ADJUSTER

Manufacturer Superior Unlimited
 Style Two Piece, Cushion and Backrest, Pan Seat, High Back
 Material Heavy Duty Vinyl, High Density Foam, Nylon Thread
 Frame 16" Gauge Steel Stamped Metal Frame
 Replacement Parts 000 753-2023 Cushion, 000 753-2026 Backrest

000 753-2005

2

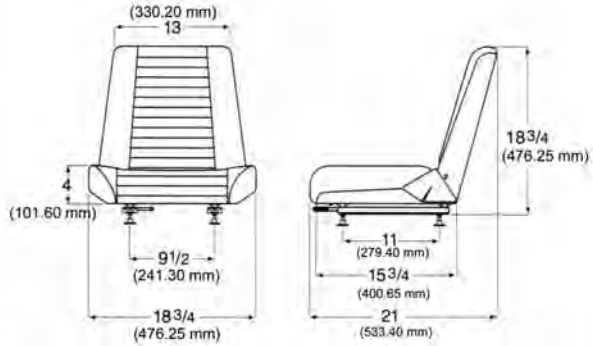


STANDARD SEAT WITH ADJUSTER

Manufacturer Superior Unlimited
 Style Two Piece, Cushion and Backrest, High Back
 Material Heavy Duty Vinyl, High Density Foam
 Frame Steel Frame
 Specs Lateral Mounting Adjustment Built-in 9-1/2" to 17"

000 753-3001

1

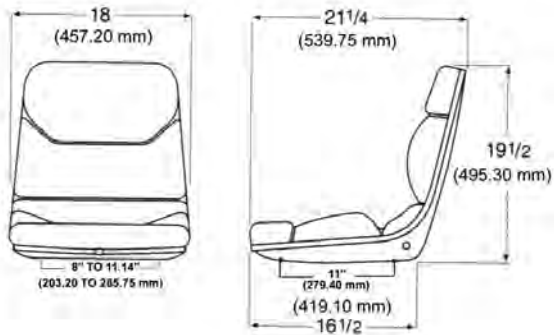


STANDARD SEAT WITH ADJUSTER

Manufacturer Wise WM127
 Style Two Piece, Cushion and Backrest, High Back, Pan Seat
 Material Heavy Duty Vinyl, Cut and Sewn Construction
 Frame 16" Gauge Steel Stamped Frame with Plastic Liner
 Specs 6" Fore/Aft Adjuster, Multi Adjuster Mounting 4" to 11-1/4"

000 753-3009

2



STANDARD SEAT WITH ADJUSTER

Manufacturer Wise WM917A
 Style One Piece, Cushion and Backrest, Self Draining Seat, High Back
 Material Heavy Duty Vinyl, Seamless Molded Construction
 Frame 14" Gauge Steel Stamped Frame



SEATS seat assemblies / standard

000 753-7020

1

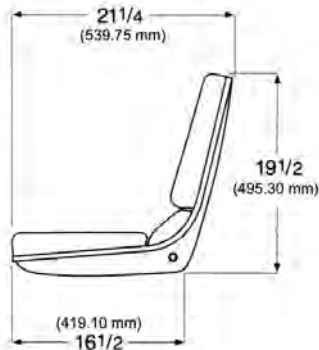
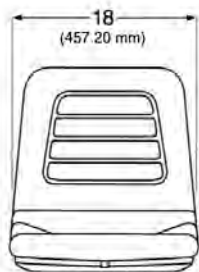


STANDARD SEAT WITH ADJUSTER

Manufacturer Wise
 Style One Piece, Cushion and Backrest, Self Draining Seat, Low Back
 Material Heavy Duty Vinyl, Seamless Molded Construction
 Frame Steel Shell with Protective Edge Trim

000 753-7021

2



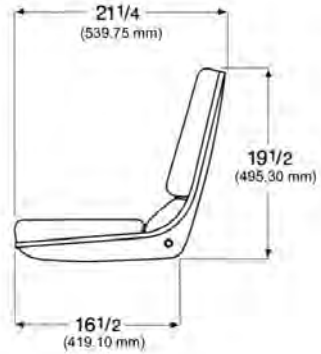
STANDARD SEAT WITHOUT ADJUSTER

Manufacturer Sears
 Style One Piece, Cushion and Backrest, High Back
 Material Cloth, Seamless Molded Construction
 Frame Steel Shell with Protective Edge Trim

SEATS seat assemblies / standard

000 753-7022

1

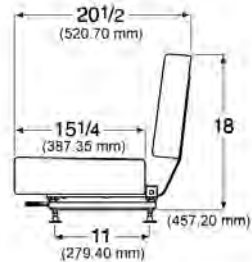
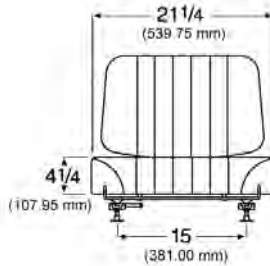


STANDARD SEAT WITHOUT ADJUSTER

Manufacturer Sears Replacement
 Style One Piece, Cushion and Backrest, Self Draining Seat, High Back
 Material Heavy Duty Vinyl, Seamless Molded Construction
 Frame Steel Shell with Protective Edge Trim

000 753-7038

2



STANDARD SEAT WITH ADJUSTER

Manufacturer Wise
 Style Two Piece, Cushion and Backrest, High Back
 Material Heavy Duty Vinyl, Cut and Sewn Construction
 Frame Steel Frame
 Replacement Parts 000 753-2038 Cushion, 000 753-2037 Backrest



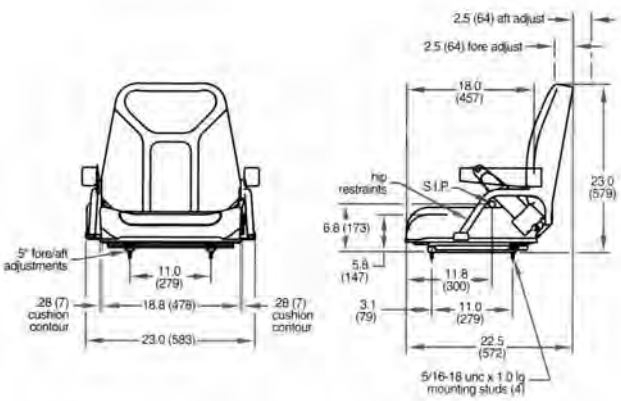
SEATS seat assemblies / standard

000 753-7044



SEATS seat assemblies / standard

1

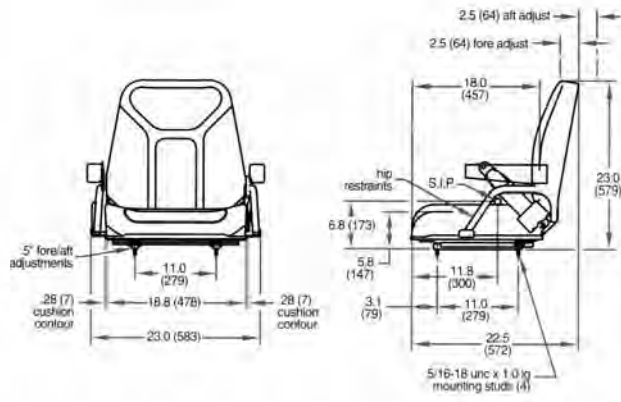


STANDARD SEAT WITH ADJUSTER

Manufacturer H.O. Bostrom
 Style Two Piece, Cushion and Backrest, High Back
 Material Heavy Duty Vinyl
 Frame Steel Frame
 Specs Built-in Lumbar Support, Integral Springs Isolate Shock, 5" Fore/Aft Adjustment

000 753-7044S

2



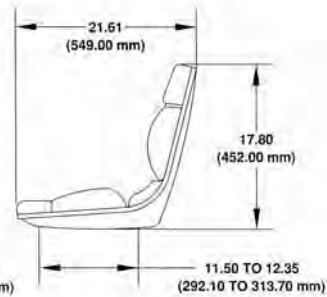
STANDARD SEAT WITH ADJUSTER & SWITCH

Manufacturer H.O. Bostrom
 Style Two Piece, Cushion and Backrest, High Back
 Material Heavy Duty Vinyl
 Frame Steel Frame
 Specs Built-in Lumbar Support, Integral Springs Isolate Shock, 5" Fore/Aft Adjustment

000 753-7052

1

NEW
Catalog Item!



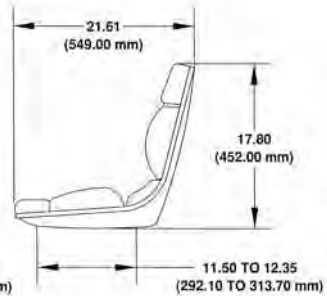
STANDARD SUPER SUBURBAN SEAT

Manufacturer Sears
 Style One piece, Cushion and Backrest, Mounting for Manual Holder
 Material Heavy Duty Vinyl, Seamless Molded Construction
 Frame Steel Shell with Protective Edge Trim
 Replacement Parts 000 753-3000 Seat Belt, 000 753-2030 Seat Rail Kit, 000 393-9982 Seat Switch

000 753-7053

2

NEW
Catalog Item!



STANDARD SUPER SUBURBAN SEAT

Manufacturer Sears
 Style One piece, Cushion and Backrest, Mounting for Manual Holder
 Material Cloth, Seamless Molded Construction
 Frame Steel Shell with Protective Edge Trim
 Replacement Parts 000 753-3000 Seat Belt, 000 353-2030 Seat Rail Kit, 000 393-9982 Seat Switch

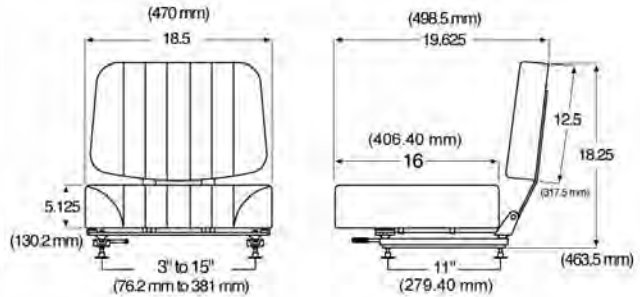


SEATS seat assemblies / standard

000 753-9001

1

SEATS seat assemblies / standard

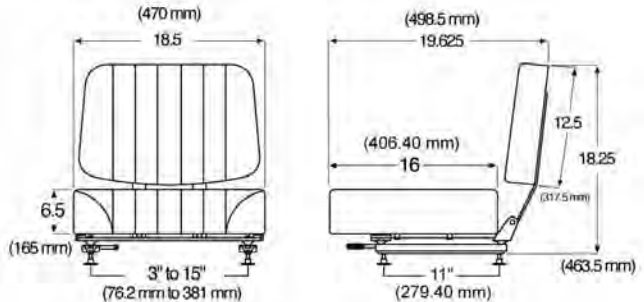


STANDARD SEAT WITH ADJUSTER

Manufacturer Michigan Replacement
 Style Two Piece, Cushion and Backrest, High Back
 Material Heavy Duty Vinyl
 Frame Steel Frame
 Replacement Parts 000 750-6001 Cushion, 000 751-7005 Backrest, 000 753-7025 Adjuster Kit

000 753-9002

2

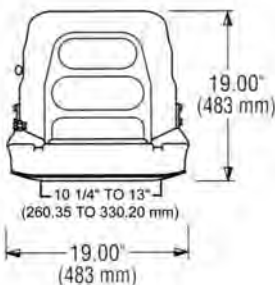


STANDARD SEAT WITH ADJUSTER

Manufacturer Michigan Replacement
 Style Two Piece, Cushion and Backrest, High Back
 Material Heavy Duty Vinyl
 Frame Steel Frame
 Replacement Parts 000 750-6000 Cushion, 000 751-7005 Backrest, 000 753-7025 Adjuster Kit

000 753-3003

1

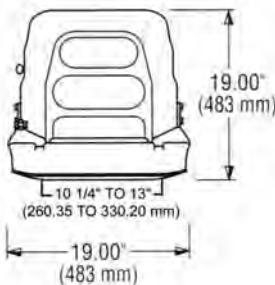


STANDARD SEAT WITH ADJUSTER

Manufacturer Grammer GS12 Replacement
 Style Two Piece, Cushion and Backrest, High Back
 Material Heavy Duty Vinyl, Seamless Molded Construction
 Frame Stamped Steel Frame
 Specs Fully Integrated Suspension within Backrest Pan, Weight Adjustment 110-265 Lbs, Adjustable Bracket
 Replacement Parts 000 753-7028 Armrest Kit

000 753-3004

2



STANDARD SEAT WITH ADJUSTER

Manufacturer Grammer GS12 Replacement
 Style Two Piece, Cushion and Backrest, High Back
 Material Cloth, Seamless Molded Construction
 Frame Stamped Steel Frame
 Specs Fully Integrated Suspension within Backrest Pan, Weight Adjustment 110-265 Lbs, Adjustable Bracket
 Replacement Parts 000 753-7028 Armrest Kit

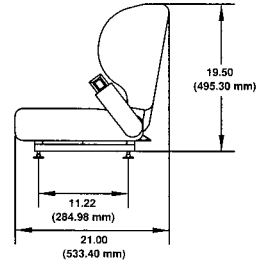
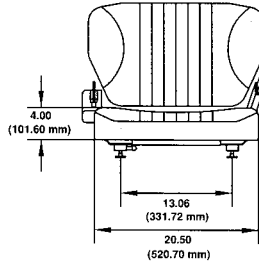


SEATS seat assemblies / standard

000 753-9011

1

NEW
Catalog Item!



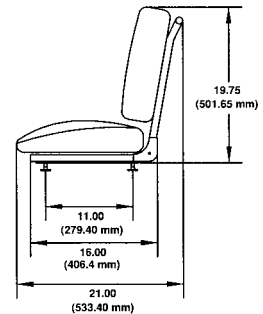
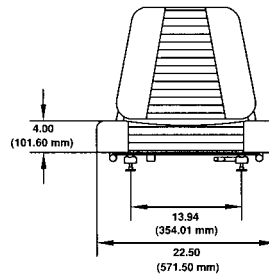
STANDARD SEAT WITH ADJUSTER

Manufacturer Wise
 Style Two Piece, Cushion and Backrest, High Back
 Material Heavy Duty Vinyl, Seamless Molded Construction
 Frame Steel Frame

000 753-9012

2

NEW
Catalog Item!



STANDARD SEAT WITH ADJUSTER

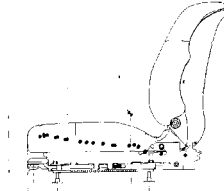
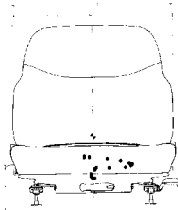
Manufacturer Wise
 Style Two Piece, Cushion and Backrest, High Back
 Material Cloth, Seamless Molded Construction
 Frame Fully Integrated Suspension within Backrest Pan, Weight Adjustment 110-265 Lbs, Adjustable Bracket

SEATS seat assemblies / standard

000 753-9015

1

NEW
Catalog Item!

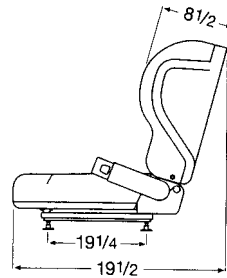
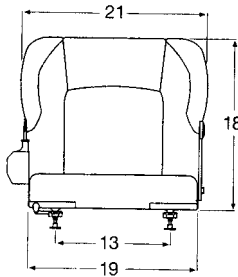


STANDARD SEAT WITH ADJUSTER

Manufacturer Sears
 Style Two Piece, Cushion and Backrest, High Back
 Material Cloth, Seamless Molded Construction
 Frame Fully Integrated Suspension within Backrest Pan, Weight Adjustment 110-265 Lbs, Adjustable Bracket

000 753-9021

2



STANDARD SEAT ASSEMBLY WITH BELT

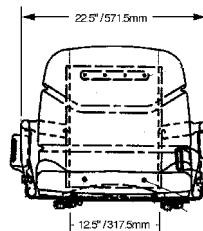
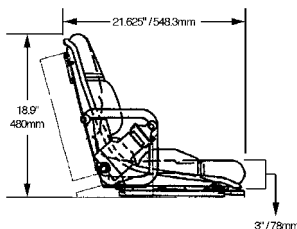
Manufacturer Wise
 Style Two Piece, Cushion and Backrest
 Material Vinyl
 Frame Steel Frame



SEATS seat assemblies / standard

000 753-3013

1

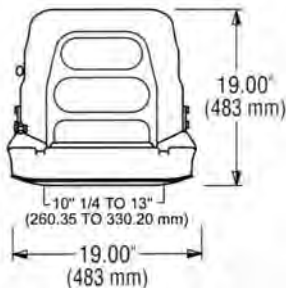


SUSPENSION SUPER SUBURBAN SEAT

Manufacturer Sears
 Style One Piece, Cushion and Backrest, Hip Retrains, Seat Belts, Manual Holder
 Material Heavy Duty Vinyl, Seamless Molded Construction
 Frame Steel Frame

000 753-7003

2



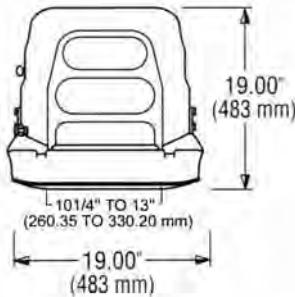
SUSPENSION SEAT WITH ADJUSTER

Manufacturer Grammer GS12
 Style Two Piece, Cushion and Backrest, High Back
 Material Heavy Duty Vinyl, Seamless Molded Construction
 Frame Stamped Steel Frame
 Specs Fully Integrated Suspension within Backrest Pan, Weight Adjustment 110-265 Lbs, Adjustable Bracket
 Replacement Parts 000 750-7001 Cushion, 000 751-7002 Backrest, 000 753-7028 Armrest, 000 753-7023 Seat Switch

SEATS seat assemblies / suspension

000 753-7005

1

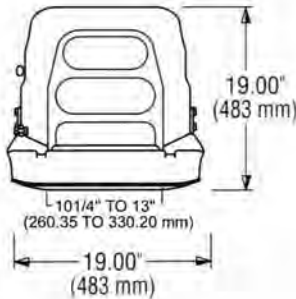


SUSPENSION SEAT WITH ADJUSTER

Manufacturer Grammer GS12
 Style Two Piece, Cushion and Backrest, High Back
 Material Cloth, Seamless Molded Construction
 Frame Stamped Steel Frame
 Specs Fully Integrated Suspension within Backrest Pan, Weight Adjustment 110-265 Lbs, Adjustable Bracket
 Replacement Parts 000 751-7002 Backrest, 000 753-7028 Armrest, 000 753-7023 Switch

000 753-7006

2



SUSPENSION SEAT WITH ADJUSTER & SWITCH

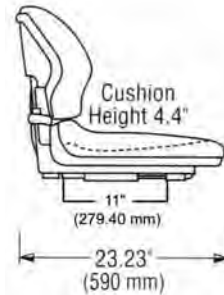
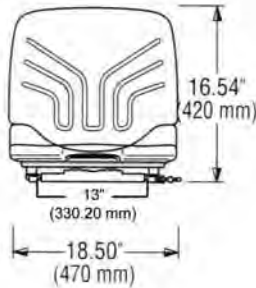
Manufacturer Grammer GS12
 Style Two Piece, Cushion and Backrest, High Back
 Material Cloth, Seamless Molded Construction
 Frame Stamped Steel Frame
 Specs Fully Integrated Suspension within Backrest Pan, Weight Adjustment 110-265 Lbs, Adjustable Bracket
 Replacement Parts 000 750-7005 Cushion, 000 751-7004 Backrest, 000 753-7028 Armrest, 000 753-7023 Seat Switch



SEATS seat assemblies / suspension

000 753-7008

1

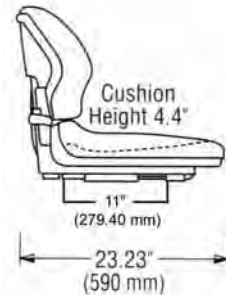
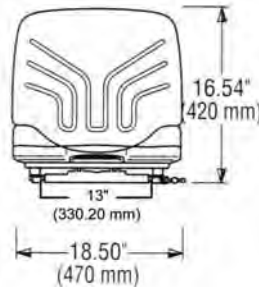


SUSPENSION SEAT WITH ADJUSTER

Manufacturer Grammer MSG20
 Style Two Piece, Cushion and Backrest
 Material Cloth, Seamless Molded Construction
 Frame Stamped Steel Frame
 Specs Scissor Type Suspension, Hydraulic Shock Absorber, 6" Fore/Aft Adjustment, Weight Adjustment 110-286 Lbs, Backrest Adjustment 10 Degree in 0.6" Increment
 Replacement Parts 000 753-7013 LH Armrest, 000 753-7014 RH Armrest, 000 753-7015 Seat Switch

000 753-7008S

2



SUSPENSION SEAT WITH ADJUSTER & SWITCH

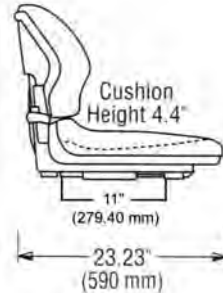
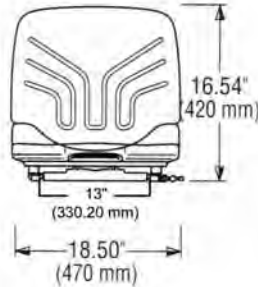
Manufacturer Grammer MSG20
 Style Two Piece, Cushion and Backrest
 Material Cloth, Seamless Molded Construction
 Frame Stamped Steel Frame
 Specs Scissor Type Suspension, Hydraulic Shock Absorber, 6" Fore/Aft Adjustment, Weight Adjustment 110-286 Lbs, Backrest Adjustment 10 Degree in 0.6" Increment
 Replacement Parts 000 753-7013 LH Armrest, 000 753-7014 RH Armrest, 000 753-7015 Seat Switch



SEATS seat assemblies / suspension

000 753-7011

1

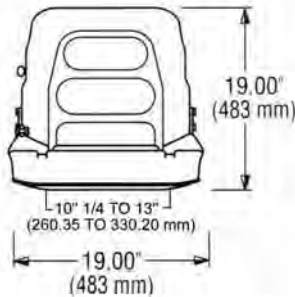


SUSPENSION SEAT WITH ADJUSTER

Manufacturer Grammer MSG20
 Style Two Piece, Cushion and Backrest
 Material Heavy Duty Vinyl, Seamless Molded Construction
 Frame Stamped Steel Frame
 Specs Scissor Type Suspension, Hydraulic Shock Absorber, 6" Fore/Aft Adjustment, Weight Adjustment 110-286 Lbs, Backrest Adjustment 10 Degree in 0.6" Increment
 Replacement Parts 000 753-7013 LH Armrest, 000 753-7014 RH Armrest, 000 753-7015 Seat Switch

000 753-7024

2



SUSPENSION SEAT WITH ADJUSTER & SWITCH

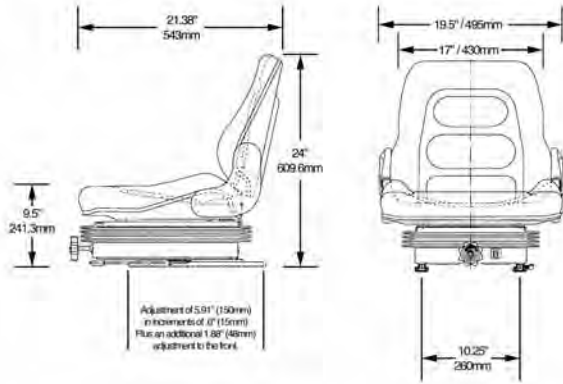
Manufacturer Grammer GS12
 Style Two Piece, Cushion and Backrest, High Back
 Material Heavy Duty Vinyl Seamless Molded Construction
 Frame Stamped Steel Frame
 Specs Fully Integrated Suspension within Backrest Pan, Weight Adjustment 110-265 Lbs, Adjustable Bracket
 Replacement Parts 000 750-7001 Cushion, 000 751-7002 Backrest, 000 753-7028 Armrest, 000 753-7023 Seat Switch



SEATS seat assemblies / suspension

000 753-7043

1

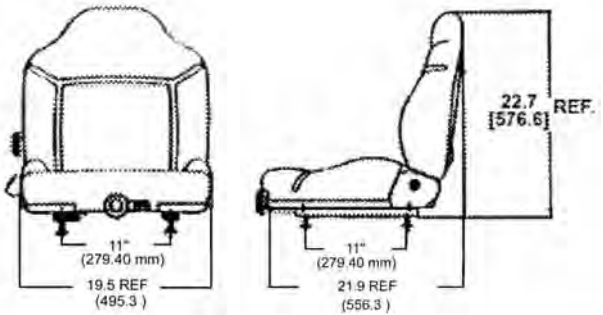


SUSPENSION SEAT WITH ADJUSTER

Manufacturer Grammer DS85/90
 Style Two Piece, Cushion and Backrest, Full-Length Polypropylene Back
 Material Heavy-duty Vinyl, Seamless Molded Construction
 Frame Stamped Steel Frame
 Specs Scissor Type Suspension, Hydraulic Shock Absorber, 9" Fore/Aft Adjustment, Weight Adjustment 110-285 Lbs, Backrest can be folded into the seat pan

000 753-7045

2



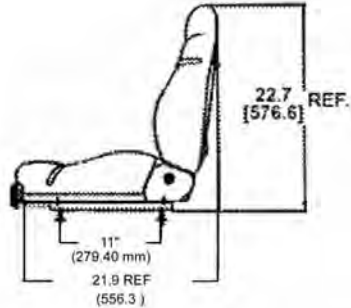
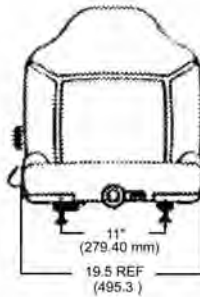
SUSPENSION SEAT WITH ADJUSTER

Manufacturer Michigan V5200
 Style Two Piece, Cushion and Backrest, Full-Length Polypropylene Back with Built-in Manual Holder
 Material Cloth, Seamless Molded Construction
 Frame Steel Frame
 Specs Variable Rate Suspension, Adjustable Lumbar Support, Weight Adjustment 100 to 270 Lbs, Backrest Adjustments 5 to 15 Degree
 Replacement Parts 000 753-7047 Armrest, 000 753-7048S Seat Switch

SEATS seat assemblies / suspension

000 753-7046

1



SUSPENSION SEAT WITH ADJUSTER

ManufacturerMichigan V5200
 StyleTwo Piece, Cushion and Backrest, Full-Length Polypropylene Back with Built-in Manual Holder
 MaterialHeavy Duty Vinyl, Seamless Molded Construction
 FrameSteel Frame
 SpecsVariable Rate Suspension Adjustable Lumbar Support, Weight Adjustment
 100 to 270 Lbs, Backrest Adjustments 5 to 15 Degree
 Replacement Parts ... 000 753-2039 Cushion, 000 753-2040 Backrest, 000 753-7047 Armrest, 000 753-7048S Seat Switch



SEATS seat assemblies / suspension



SEATS accessories

000 393-4240

1

NEW
Catalog Item!



SEAT SWITCH

000 393-9711

2



SEAT SWITCH

000 393-9982

3



SEAT SWITCH

000 753-7028

4



ARMREST KIT

Used with 000 753-7003,
000 753-7024, 000 753-7005,
000 753-7006, 000 753-3003,
and 000 753-3004

000 753-7013

5



ARMREST LH

Used with 000 753-7011,
000 753-7008 and 000 753-7008S

000 753-7014

6



ARMREST RH

Used with 000 753-7008,
000 753-7008S and 000 753-7011

000 753-7047

7



ARMREST KIT

Used with 000 753-7045
and 000 753-7046

000 753-3000

8



SEAT BELT

Type 60" Retractable

000 753-3005

9



SEAT BELT

Type 60" Adjustable



SEATS accessories

000 753-3008

1



SEAT BELT
Type 60" Adjustable

000 753-3010

2



SEAT BELT
Type 70" Retractable, Orange

000 753-3011

3



SEAT BELT
Type ... 60" Retractable, Anti-Cinch

000 755-1001

4



SEAT BELT BRACKET

000 753-3015

5

NEW
Catalog Item!



SEAT BELT
Type 55" Retractable

000 753-3016

6

NEW
Catalog Item!



SEAT BELT
Type 49.75" Retractable

000 753-3017

7

NEW
Catalog Item!



SEAT BELT
Type 80.50" Retractable

000 753-3018

8

NEW
Catalog Item!



SEAT BELT
Type 48" Retractable

000 753-9010

9



SEAT BELT KIT
Length 49" Retractable



SEATS accessories

000 753-7015

1



SEAT SWITCH KIT

Used with 000 753-7008,
000 753-7008S, 000 753-7011

000 753-7023

2



SEAT SWITCH

Used with 000 753-7003,
000 753-7005, 000 753-7024,
000 753-7006

000 753-7048S

3



SEAT SWITCH

Used with 000 753-7045
and 000 753-7046

000 753-7055

4

NEW
Catalog Item!



SEAT SWITCH

Used with 000 753-7015

000 753-7054

5

NEW
Catalog Item!



SEAT PLATE

Used with 000 753-7015

000 753-SWIVEL

6

NEW
Catalog Item!



SEAT SWIVEL

Fit Universal
Style 15 Degree Left/Right

000 753-7025

7



SEAT ADJUSTER KIT

Used with 000 753-9001,
000 753-9002

000 753-2030

8



SLIDE ADJUSTER KIT

Used with 000 753-7022

000 753-2031

9



SLIDE TRACK WITH ADJUSTER

Used with 000 753-3003,
000 753-3004, 000 753-7003,
000 753-7005, 000 753-7006,
000 753-7024,

Lift Truck Parts Professionals



SEATS accessories

000 753-2032

1



SLIDE TRACK

Used with 000 753-3003,
000 753-3004, 000 753-7003,
000 753-7005, 000 753-7006,
000 753-7024

000 753-3006

2



HIP RESTRAINT

Used with 000 753-3003,
000 753-3004, 000 753-7003,
000 753-7005, 000 753-7006,
000753-7024

000 753-9016

3

NEW
Catalog Item!



HIP RESTRAINT KIT

WISE
UNIVERSAL ASSEMBLIES



THE WISE COMPANY, INC.

458 Castleberry St., Piggott, AR 72454 • 870.598.3845 • wiseseats.com

