

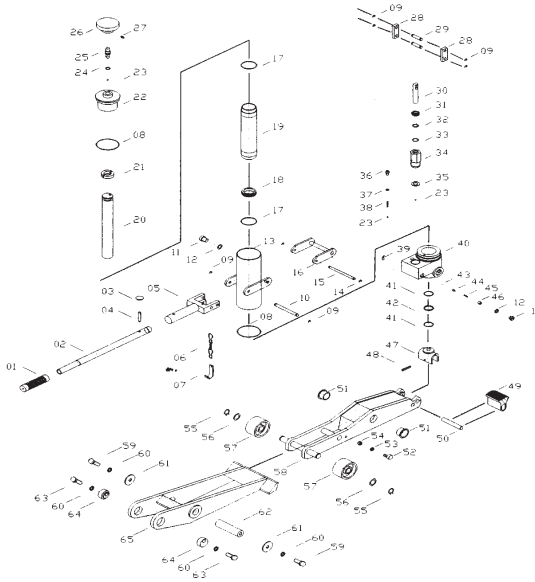
IJ-5000

TRUCK JACK

1



- Meets CE and ANSI Standard # ASME PALD-1997
- Replacement parts available
- Extra low pick up point and two position lift pad for hard to reach places under low profile lift trucks.
- Removable handle and compact size
- One year warranty
  
- **Maximum Lifting Capacity**  
(8800 lbs./4000 kgs.)
- **Maximum Truck Capacity**  
(13,200 lbs./6000 kgs.)
- **Starting Pad Height (notch)**  
(2-1/2"/65mm)
  - **Raised Height (maximum)**  
(16"/406mm)
  - **Reach (raised position)**  
(7"/178mm)
  - **Width (7-4/5"/200mm)**
  - **Weight 77lbs. (33kgs.)**



Number	Description	Part #
01	GRIP	IJ-5201
02	HANDLE ASSEMBLY	IJ-5202
03	HANDLE RING	IJ-5203
04	HANDLE PIN	IJ-5204
05	HANDLE WELDMENT	IJ-5205
06	LOCK CHAIN	IJ-5206
07	LOCK HOOK	IJ-5207
08	O-RING	@, #
09	RETAINING RING	IJ-5208
10	OIL TANK PIN	IJ-5209
11	OIL TANK SCREW	#
12	OIL TANK SEAL RING	@, #
13	OIL TANK	#
14	RETAINING RING	IJ-5210
15	PIN	IJ-5211
16	HANDLE	IJ-5212
17	O-RING	@, #
18	PORT RING	#
19	CYLINDER	#
20	PISTON ROD	#
21	PISTON	@, #
22	VALVE SEAT	#
23	BALL	#
24	O-RING	@, #
25	RELEASE ROD	#
26	RELEASE KNOB	IJ-5232
(also included in IJ-5230)		
27	RELEASE KNOB SCREW	#
28	LINKING ROD	N/A
29	LINKING ROD PIN	N/A
30	PLUNGER	#
31	WIPER	#
32	BACK-UP RING	@, #
33	O-RING	@, #
34	PUMP	IJ-5231
(also included in IJ-5230)		
35	SEAL RING	#
36	SCREW	#
37	SEAL RING	#
38	SPRING	#
39	MAGNET STEEL	#
40	VALVE BLOCK	#
41	O-RING	@, #
42	BACK-UP RING	@, #
43	BALL	#
44	BALL SEAT	#
45	SPRING	#
46	SCREW	#
47	PISTON ROD PAD	N/A
48	PIN	IJ-5213
49	LIFT PAD	IJ-5214
50	PIN	IJ-5215
51	SPACER	IJ-5216
52	SCREW	IJ-5217
53	LOCK WASHER	IJ-5218
54	NUT	IJ-5219
55	SNAP RING	IJ-5220
56	WASHER	IJ-5221
57	STEEL WHEEL	IJ-5222
58	FRAME	N/A
59	SCREW	IJ-5223
60	LOCK WASHER	IJ-5224
61	WASHER	IJ-5225
62	AXLE	IJ-5226
63	SCREW	IJ-5227
64	TRUNNION	IJ-5228
65	FRAME	N/A
@	Supplied in seal kit #	IJ-5229
#	Supplied in pump unit kit #	IJ-5230

IJ-3001

2



Jack Stands

- Heavy duty design with wide base and heat-treated holding pins
- One year warranty
- Ten Ton Capacity Per Pair (sold in pairs only) (20,000 lbs./9090kgs.)
- Three Position
- Adjusting Range  
(9-1/2"/242mm) (16"/407mm)



SERVICE truck jack & stands



**SERVICE**  
o-ring kits

**000 1281-9995**

1



**O-RING KIT**

Durometer ..... 90  
 Type ..... Face Seal  
 Quantity per Kit ..... 140

**000 1281-9996**

2



**O-RING KIT**

Durometer ..... 90  
 Type ..... SAE 4 Bolt Flange  
 Quantity per Kit ..... 50

**000 1281-9997**

3



**O-RING KIT**

Durometer ..... 90  
 Type ..... SAE Boss  
 Quantity per Kit ..... 180

**000 1281-9998**

4



**O-RING KIT**

Durometer ..... 70  
 Type ..... SAE  
 Quantity per Kit ..... 375

**000 1281-9999**

5



**O-RING KIT**

Durometer ..... 70  
 Type ..... Metric  
 Quantity per Kit ..... 375

## Hand Cleaners



Part #	Description	Size
IL-2005	ORIGINAL HAND CLEANER	4.5 lb Tub
IL-2006	ORIGINAL HAND CLEANER FOR 1204 DISPENSER	4.5 lb Tub
IL-2007	FINE ITALIAN HAND CLEANER WITH PUMICE	4 lb Tub
IL-2008	HEAVY DUTY HAND CLEANER	14 oz Tub
IL-2010	ORANGE FAST WIPES	130 Count Bucket
IL-2011	ORANGE FAST WIPES	225 Count Bucket
IL-2012	ORANGE SMOOTH HAND CLEANER	14 oz Squeeze Bottle
IL-2013	ORANGE SMOOTH HAND CLEANER	1 Gallon Pump
IL-2014	ORANGE PUMICE HAND CLEANER	14 oz Squeeze Bottle
IL-2015	ORANGE PUMICE HAND CLEANER	1 Gallon Pump





## Chemicals



Part #	Description	DOT Shipping Specification	Size
CH-1112	COOL TEC	—	12 oz.
CH-2012	CARBURETOR GUM SOLVENT	ORM - D	12 oz.
CH-2114	CARBURETOR & CHOKE CLEANER	ORM - D	11 oz.
CH-3016	MOTOR PEP TUNE-UP FLUID	—	15 oz.
CH-3116	MOTOR OIL TREATMENT	—	15 oz.
CH-3210	TRANSMISSION & POWER STEERING SEAL & CONDITIONER	—	12 oz.
CH-3416	SILICONE SPRAY	ORM - D	11.5 oz.
CH-3716	DIESEL FLOW FLUID	—	16 oz.
CH-3912	POWER STEERING FLUID	NR	12 oz.
CH-4012	WRENCH EZE	ORM - D	9 oz.
CH-4220	ENGINE CLEANER & DEGREASER	ORM - D	15.5 oz
CH-4516	PENETRATING OIL	ORM - D	11 oz.
CH-4520	NON-CHLORINATED FLAMMABLE BRAKE CLEANER	ORM - D	12.3 oz
CH-4620	NON-CHLORINATED BRAKE CLEANER	ORM - D	15 oz.
CH-4816	WHITE LITHIUM GREASE SPRAY	ORM - D	12 oz.
CH-4820	NON-CHLORINATED BRAKE CLEANER	ORM - D	12 oz.
CH-5112	NOX-ICE FUEL TREATMENT	ORM - D	12 oz.
CH-6012	DOT 3 BRAKE FLUID	—	12 oz.
CH-6032	DOT 3 BRAKE FLUID	—	32 oz.
CH-7003	OPEN GEAR LUBE SPRAY	ORM - D	11 oz.
CH-7005	INNER SLIDE LUBE SPRAY	ORM - D	12 oz.
CH-7006	CHAIN & CABLE LUBE	ORM - D	10 oz.
CH-7009	DRY GRAPHITE LUBE	ORM - D	13 oz
CH-7011	BATTERY PROTECTANT	ORM - D	11.5 oz.
CH-7012	BATTERY CLEANER	ORM - D	15 oz.
CH-7014	ELECTRIC MOTOR CLEANER	ORM - D	19 oz.
CH-7512	MOTOR FLUSH	NR	12 oz.
CH-7501	MOTOR FLUSH	NR	1 gal.

NR, ORM-D, UN1960: Shipping specifications and restrictions, indicates Department of Transportation (DOT) shipping hazardous material.



**Battery Cleaner & Neutralizer**

1



CH-2052 ..... .32 oz  
 CH-2052-G ..... .1 Gallon  
 CH-2052-5 ..... .5 Gallon

**Battery Neutralizer**

2



CH-2053 ..... .32 oz  
 CH-2053-G ..... .1 Gallon  
 CH-2053-5 ..... .5 Gallon

**Citrus Floor Cleaner**

3



CH-2055-G ..... .1 Gallon  
 CH-2055-5 ..... .5 Gallon  
 CH-2055-55 ..... .55 Gallon-MDS  
 CH-2055-5SC ..... .5 Gallon-Super Concentrate

**Battery Absorber & Neutralizer**

4



CH-2054 ..... .5 Gallon

**Battery Acid Spill Kit**

5



CH-2059 ..... .5 Gallon  
 Includes—Acid absorber and neutralizer, gloves, goggles, aprons, tape, bags, ties, hazmat boot covers, dust pan, wisk broom, MSDS and Instructions.

**Degreaser Floor Scrub**

6



CH-2056-G ..... .1 Gallon  
 CH-2056-5 ..... .5 Gallon  
 CH-2056-55 ..... .55 Gallon-MDS  
 CH-2056-5SC ..... .5 Gallon-Super Concentrate



**Tire Mark Remover**

1



- CH-2057 ..... .32 oz
- CH-2057-G ..... .1 Gallon
- CH-2057-5 ..... .5 Gallon

**Vehicle Wash**

2



- CH-2058 ..... .32 oz
- CH-2058-G ..... .1 Gallon
- CH-2058-5 ..... .5 Gallon
- CH-2058-55 ..... .55 Gallon-MDS
- CH-2058-5SC ..... .5 Gallon-Super Concentrate

**Glass, Plastic, & CRT Cleaner**

3



- CH-2061 ..... .32 oz
- CH-2061-G ..... .1 Gallon
- CH-2061-5 ..... .5 Gallon

**Contact Cleaner**

4



- CH-2062 ..... .32 oz
- CH-2062-G ..... .1 Gallon
- CH-2062-B (empty bottle) ..... .8 oz

**Proportioner**

5



- Part # .....CH-2060



## Adhesives & Sealants



**SERVICE** adhesives & sealants

Part #	Description	Size
DY-09440	RED HIGH STRENGTH BOLTLOCKER	1ml
DY-47200	BLACK RTV SILICONE GASKET MAKER	3.35 oz
DY-47203	BLUE RTV SILICONE GASKET MAKER	3.35 oz
DY-49202	RED RTV SILICONE GASKET MAKER	3 oz
DY-49204	CLEAR RTV SILICONE ADHESIVE & SEALANT	3 oz
DY-49358	HI-TACK AEROSOL SPRAY GASKET	10 oz
DY-49409	4 MINUTE SYRINGE EPOXY	1 oz
DY-49412	BRUSH-ON ELECTRICAL TAPE	4 oz
DY-49430	WEATHERSTRIP AND GASKET ADHESIVE	5 oz.
DY-49431	SUPER GLUE	20gm
DY-49433	SUPER GLUE GEL	2gm
DY-49441	BLUE MEDIUM STRENGTH BOLTLOCKER	6ml
DY-49442	BLUE MEDIUM STRENGTH BOLTLOCKER	24ml
DY-49451	RED HIGH STRENGTH BOLTLOCKER	6ml
DY-49452	RED HIGH STRENGTH BOLTLOCKER	24ml
DY-49463	ADHEASIVE THREADLOCKER	1.69 oz.
DY-49472	GREEN HIGH STRENGTH SLEEVELOCKER	24ml
DY-49476	GREEN HIGH VISCOSITY SLEEVELOCKER	24ml
DY-49477	RED HIGH STRENGTH GASKET MAKER	50ml
DY-49486	PIPE SEALANT WITH TEFLON	50ml
DY-49494	THREAD SEALANT WITH TEFLON	4 oz.
DY-49501	ANTI-SEIZE & LUB COMPOUND	1 oz.
DY-49593	BRAKE SYSTEM SILICONE COMPOUND	5 oz.
DY-49611	RED GREASE (AEROSOL)	16 oz.
DY-49634	DIELECTRIC GREASE	1/3 oz.
DY-49643	HEATSINK COMPOUND	5 oz.
DY-49673	GASKET REMOVER (AEROSOL)	16 oz.



## Motor Oils



Part #	Description	Size
IL-1010	DRIVE UNIT OIL	32 oz.
IL-1030	10W30 MOTOR OIL	32 oz.
IL-1030-5	10W30 MOTOR OIL	5 Gallon
IL-1030-G	10W30 MOTOR OIL	1 Gallon
IL-SAE30	30W MOTOR OIL	32 oz.
IL-1540	15W40 MOTOR OIL	12 oz.
IL-1540-5	15W40 MOTOR OIL	5 Gallon
IL-1540-G	15W40 MOTOR OIL	1 Gallon
IL-ATF	AUTOMATIC TRANSMISSION FLUID	32 oz.
IL-ATF-5	AUTOMATIC TRANSMISSION FLUID	5 Gallon
IL-AW32-G	HYDRAULIC FLUID	1 Gallon
IL-AW68-G	HYDRAULIC FLUID	1 Gallon
IL-AW68-5	HYDRAULIC FLUID	5 Gallon
IL-HYD	HYDRAULIC FLUID	5 Gallon





1



## Multi-Purpose Grease

Part #	Size	Temperature Range
007 617410	10 oz.	10 to 300 deg. F

2



## Run-In Lubricant

Part #	Size
000 1351-5933	16 oz.

Use for packing ring installation. Water base, non-toxic, non-staining. Acceptable to FDA for food service. Harmless to skin.

3



## Shop Towel

Part #	Qty per Package
IL-2002	12

4



## Oil Pan

Part #	Size
TL-1000	Holds 6 quarts of oil

5



## Operator Manual Case

Part #	Features	Size
SA-1023	OSHA Approved. Rugged high density polyethylene. Built in mounting holes in back. Heavy duty seal, latches will not fly open.	8-1/2" x 11" x 1-5/8"



1

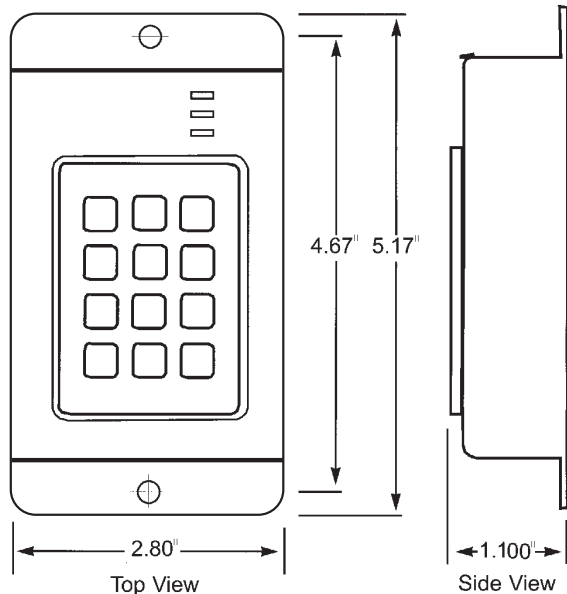
## Programmable Security Lock



- Use on both battery and I.C. engine powered vehicles to prevent unauthorized operation of the vehicles.
- When installed, a vehicle cannot be started without the four digit operator's code. Only persons with the operator's code can start and operate the vehicle.
- Operator's code can be changed by a supervisor should the need occur.
- Installation is simple, with just four wires to connect.

### PSL™ Specifications

- CASE** ABS Plastic  
Two 3/16 inches mounting holes,  
4.67 inches center to center
- KEYPAD** Contact internally sealed,  
moisture resistant
- VOLTAGE** Input Range 12-48VDC
- CURRENT** Input is less than 30 mA  
when initial power is applied,  
and less than 90mA with the  
PSL™ in ON state.
- RELAY** Contact Rating 10 Amp  
maximum
- LISTED** UL component recognition  
program file AU2434



000 985-2000-PLUS

1



PROGRAMMABLE SECURITY LOCK

**NEW**  
Catalog Item!

Case . . .ABS Plastic, Two 3/16" mounting holes 4.670" center to center, One 1/2" wire access hole in center back

Keypad . . . . .Contacts internally sealed, moisture resistant

Voltage . . . . .12-90V

Current . . . . .Input less than 30mA when initial power is applied: less than 90mA with output ON

Listed . . . .UL Recognized (File AU2434), CE Compliant

**Programmable Features:**

- Supervisor Code      Reprogrammable when necessary for security limiting access to a vehicle or selected programmable features. Allows all units in a fleet to be set to the same supervisor code.
- User Capability        Programs up to 99 unique user access codes
- Last User Identification    Displays last user of a vehicle
- Optional Automatic Shut-Off    Detects vehicle activity and will deactivate the vehicle.
- Maintenance Alert        Enables maintenance cycle counter, sets interval between alerts.
- Accumulated Time        Tracks vehicle usage.

**Electric Fans**

2



6" fan blade with multi-positioning swivel, rotary on/off switch and variable speed control on base. Complete with two 6' coils of attachment wire and instructions

**9.250" High, 4.750" Deep**

Part #	Description	Voltage	Used with
000 399-9912	Fan	12V	—
000 399-9924	Fan	24V	—
000 399-9936	Fan	36V	—
000 399-9948R	Resistor	48V	000 399-9936

000 399-9950

3



FAN  
Voltage . . . . .48V



**SERVICE** programmable security lock / electric fans



SERVICE

carbon monoxide testers

### CO-1000

1



#### EMISSIONS CO ANALYZER 1000 Series

CO Analyzer, 10' exhaust sample hose with flexible probe (1/2" O.D.), 6' power cable with battery clamps.

Portable, hand-held instrument. Instant on capability, no warm-up time. Easy to read digital display. Powered by 12V vehicle battery. Internal pump and sensor. Flexible stainless steel probe. Easily calibrated in the field. Made in the U.S. 1 year limited warranty.

### CO-1500

2



#### EMISSIONS CO ANALYZER 1500 Series

CO Analyzer, 10' exhaust sample hose with flexible probe (1/2" O.D.), narrow flexible probe (1/4" O.D.), 6' power cable with battery clamps and protective storage case.

Portable, hand-held instrument. Instant on capability, no warm-up time. Easy to read digital display. Powered by 12V vehicle battery. Internal pump and sensor. Flexible stainless steel probe. Easily calibrated in the field. Made in the U.S. 1 year limited warranty.

### CO-2000

3



#### EMISSIONS CO ANALYZER 2000 Series

CO Analyzer, 10' exhaust sample hose with flexible probe (1/2" O.D.) narrow flexible probe (1/4" O.D.) water separator/particle filter, rechargeable NiCad battery pack, 110 VAC adapter/charger and protective storage case.

All the 1000 & 1500 Series features plus: fast response time. Powered by rechargeable NiCad batteries. Measures CO concentrations up to 10%. Display shows resolution down to 0.01%.

Low battery indicator. Simple push button controls.

### CO-2500

4



#### EMISSIONS CO ANALYZER 2500 Series

CO Analyzer, 10' exhaust sample hose with flexible probe (1/2" O.D.) narrow flexible probe (1/4" O.D.) water separator/particle filter, rechargeable NiCad battery pack, 110 VAC adapter/charger and protective storage case. Includes printer.

All the 1000 & 1500 Series features plus: fast response time. Powered by rechargeable NiCad batteries. Measures CO concentrations up to 10%. Display shows resolution down to 0.01%.

Low battery indicator. Simple push button controls.

## Carbon Monoxide Testers continued

Specifications	Series 1000	Series 1500	Series 2000/ 2500*
<b>General</b>	Part # CO-1000	Part # CO-1500	Part # CO-2000
Batteries	12 V Vehicle Battery	12 V Vehicle Battery	Rechargeable NiCad
Typical battery life	Over 8 hrs., of continuous use	Same	Same
Power	12 volts DC (external)	Same	Battery or 110V AC Adapter/Charger
Start-up time	Instant on, no warm-up	Same	Same
Construction	Rugged, ABS plastic	Same	Same with fuel and oil resistance
Sample flow rate	~95 in <sup>3</sup> /min (1550 ml/min)	Same	Same
Operating temperature	35 to 104° F (2 to 40° C)	Same	Same
Storage temperature	10 to 122 F° (-10 to 50 C)	Same	Same
Humidity range	10-90% (non-condensing)	Same	10-90% RH (non-condensing)
User calibration	Monthly or as needed	Same	Same
<b>CO:</b>			
Sensor type	Electrochemical	Same	Same
Sensor life	Typically over 1 year	Typically over 2 years	Typically over 2 years
Range	0-5%	0-9.9%	0-10%
Resolution	0.1%	Same	Same
Response time (90%)	less than 30 seconds	less than 10 seconds	less than 10 seconds
Accuracy	±10% of reading	±5% of reading	±5% of reading
<b>Physical:</b>			
Dimensions	9.2" L x 5.1" W x 1.2" H	Same	9.3" L x 5.2" W x 1.8" H
Weight	1.81 pounds (0.82 kg)	Same	2.93 pounds (1.32kg)
Display	3 1/2 digit LCD, 1/2" H	Same	3 1/2 digit LCD, 3/4" digit H, backlit
Power cable	6' L with battery clamps	Same	n/a
Probe	12" flexible steel, 1/2" O.D.	Same	Same
Sample hose	10' L x 1/4" O.D.	Same	Same
Particle filter	30 micron porous nylon	Same	5 micron porous nylon

\*2500 Series supplied with printer



**SERVICE**  
carbon monoxide testers



000 308-9930

1



**QUADRIGAGE**

Four pressure gauges in one. First gauge also registers 0-30 inches mercury. Low pressure range gauges are protected if system pressures approach the gauge limits. Compatible with most hydraulic fluids and has teflon seals. Gauge face plates have both English and metric readings. Portable swivel wire hanger on back.

000 351-1002

2



**HYDROMETER**

Highly accurate temperature compensating battery tester. Easy to use

000 354-C8104

3

**SPEED CONTROLLER HAND HELD PROGRAMMER**



Compatible with Curtis speed controllers and auxiliary devices. Read and clear diagnostic history, monitor data and perform tests. Menu and submenu structure provides a clear organization of parameters. Bookmark keys provide fast swapping between three user selected menus. Detail screens show units, min/max ranges and bar graph. Allows cloning of data between controllers. Graphic LCD displays up to 7 lines of information. Restricted data is controlled by 4 access levels: OEM, Dealer, Service and User.

Provides a simple and intuitive interface to Curtis products for testing, diagnostics and parameter adjustments

Manufacturer . . . . . Curtis

000 346-4509-GE

4

**NEW**  
Catalog Item!



**GE GEN II SX HANDSET CORD WITH 14 PIN PLUG**

Length . . . . . 8'  
Used on . . . . . 000 354-4754-GE  
Manufacturer . . . . . General Electric

000 353-9300

5



**ELECTRONIC COMPONENT TESTER**

Includes . . . . . Carrying Case





**SERVICE**  
analyzers & testers

**000 354-4754-GE**

1



**HANDSET ANALYZER**

Includes ..... 8'  
Used On ..... EV100/200LX/ZX, EVT5,  
GEN II SX Controllers  
Manufacturer ..... General Electric  
Analyzer without cable ..... 000 353-7318-GE

**000 346-7312-GE**

2



**GE LX/ZX/SX HANDSET CORD WITH 14 PIN PLUG**

Length ..... 8'  
Used On ..... 000 354-4754-GE  
Manufacturer ..... General Electric

**000 346-7314-GE**

3



**GE GEN II CORD WITH 8 PIN PLUG**

Length ..... 8'  
Used On ..... 000 354-4754-GE  
Manufacturer ..... General Electric

**000 346-7315-GE**

4

**NEW**  
Catalog Item!



**GE GEN II SX HANDSET CORD WITH 12 PIN PLUG**

Length ..... 8'  
Used On ..... 000 354-4754-GE  
Manufacturer ..... General Electric

**000 439-C1215**

5

**NEW**  
Catalog Item!



**PROGRAMMER CORD RJ11**

Used On ..... 000 354-C8104  
Manufacturer ..... Curtis

**000 439-C1216**

6

**NEW**  
Catalog Item!



**PROGRAMMER CORD MOLEX**

Used On ..... 000 354-C8104  
Manufacturer ..... Curtis

000 439-C1217

1

**NEW**  
Catalog Item!



**PROGRAMMER CORD CONXALL**

Used on ..... 000 354-C8104  
Manufacturer ..... Curtis



**SERVICE**  
analyzers & testers

**PARENT PETROLEUM**  
THE PERFORMANCE ORIENTED COMPANY



**YOUR FULL LINE LUBRICANTS DISTRIBUTOR**  
[www.parentpetroleum.com](http://www.parentpetroleum.com)

**Avoco Oil Co.**  
319 Peoples Ave.  
Rockford, IL 601104-7034  
815-964-2422  
Fax: 815-964-7850

**Parent Petroleum**  
37 W. 370 Rt. 38  
St. Charles, IL 60175-1588  
800-331-9763  
Phone: 630-584-2505  
Fax: 630-584-2576

**Mair Petroleum**  
300 W. Long St.  
Princeton, IL 61356  
815-875-6569  
Fax: 815-872-0650

# PENRAY®

## Industrial Grade Chemicals & Additives...

**PENRAY®**, world renowned producer of performance proven industrial grade chemicals and additives. They manufacturer a comprehensive line of products for electric and IC engine powered industrial vehicles including service products, oil and fuel additives, fuel system cleaners, cooling system products, and winter products. These quality **PENRAY®** chemicals and additives are available from stock, and LPM.



## ...the Professional Mechanics Choice!

Ask about repair kits that include all the parts for your repair job

3.17

